

ALLEN&HEATH

Parts identification sheet

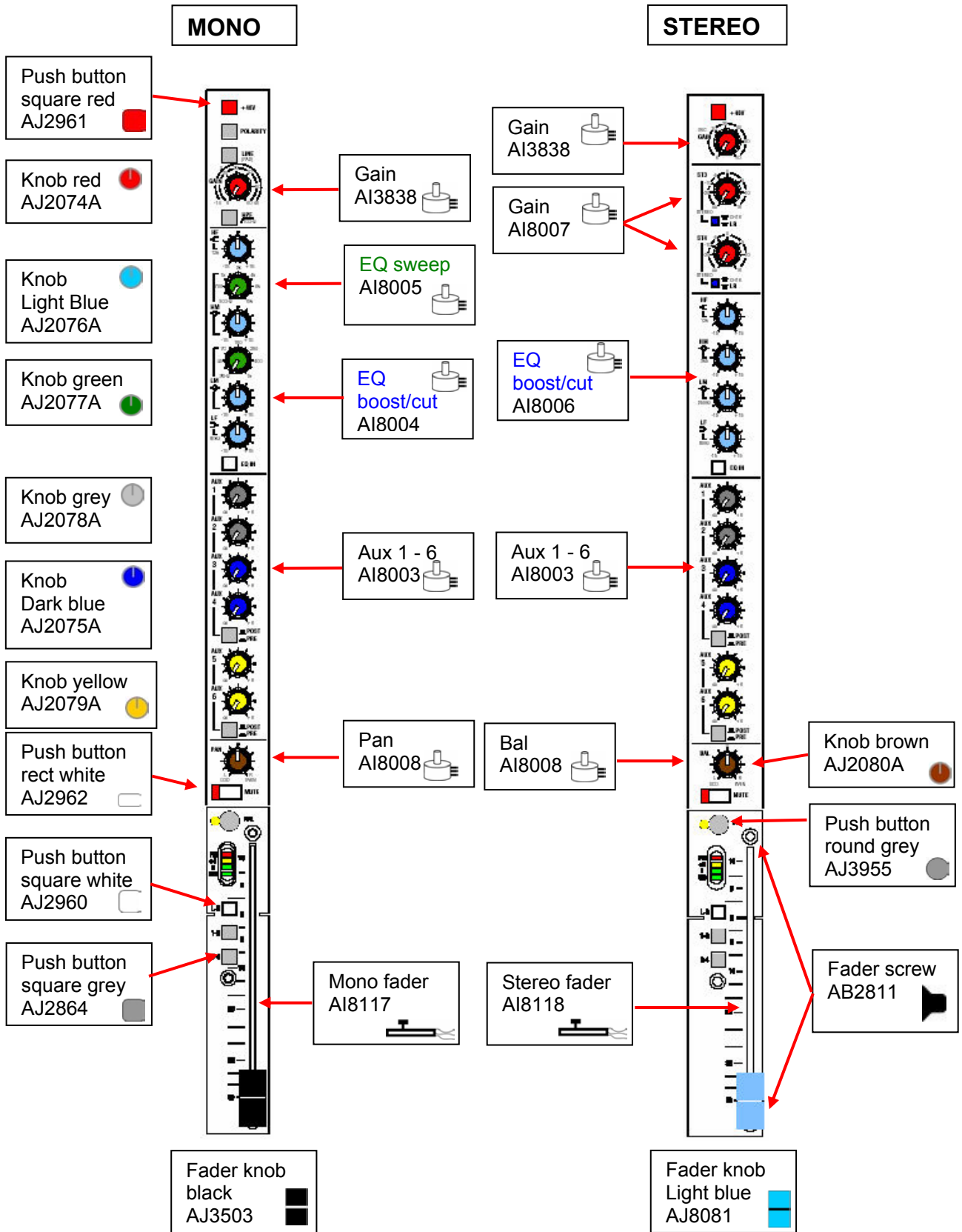
GL2400

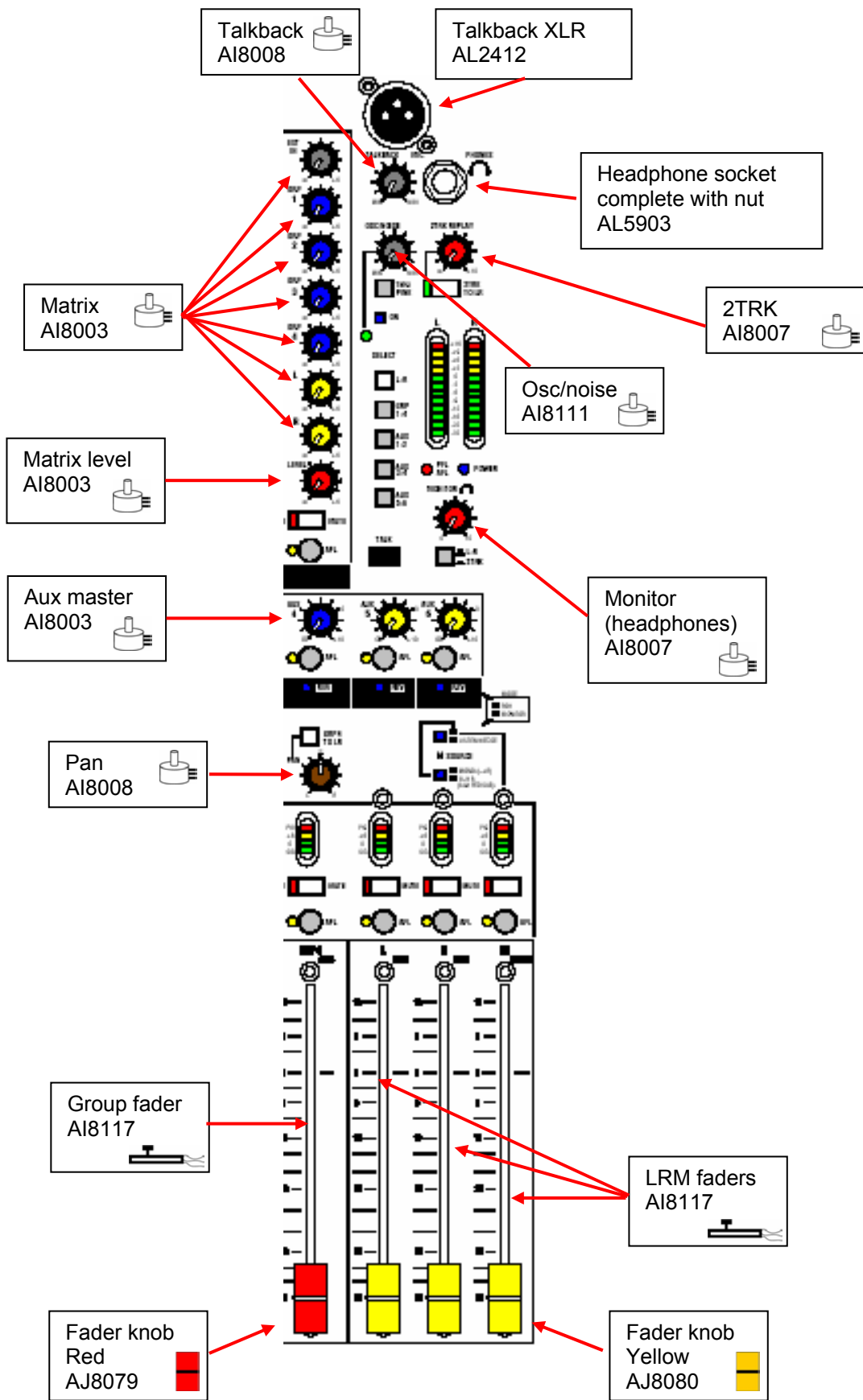
How to order parts

Parts must be ordered from our distributor in your territory. A list of international distributors can be viewed at <http://www.allen-heath.com/UK/distributors.asp>

UK parts must be ordered through an appointed A&H dealer or service centre. A list of UK service centres can be viewed at http://www.allen-heath.com/UK/service_centres.asp

EXTERIOR PARTS:



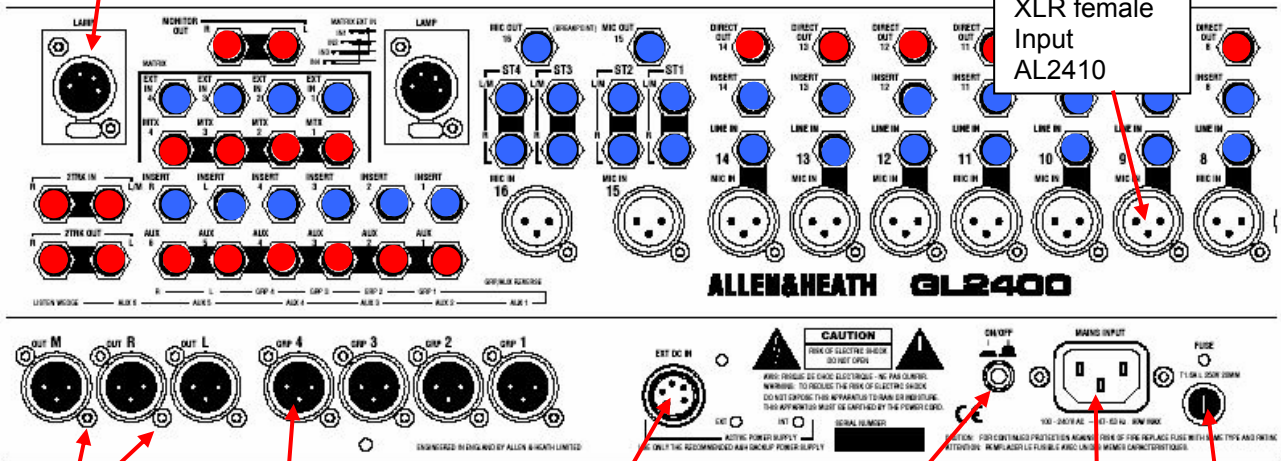


Jack sockets
Nuts supplied only with complete socket
 Direct Out
 2 trk
 Matrix
 Monitor
 Aux
 AL3407 ●

Jack sockets
Nuts supplied only with complete socket
 Insert
 Matrix EXT IN
 Line In
 Stereo Mic OUT
 Stereo Line IN
 AL3410 ●

Lamp socket
 AL8104

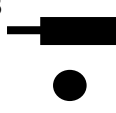
XLR female
 Input
 AL2410



XLR screw
 AB2810


XLR male
 Output
 AL2413

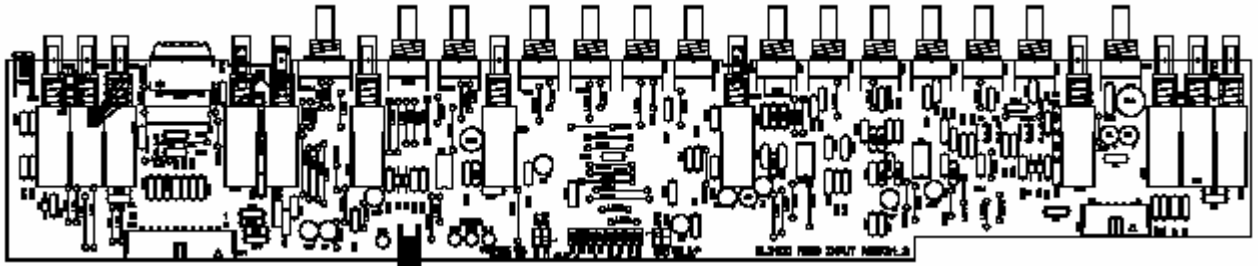
DC socket
 AL5686

Power switch
 AL3338
 Button
 AJ2887


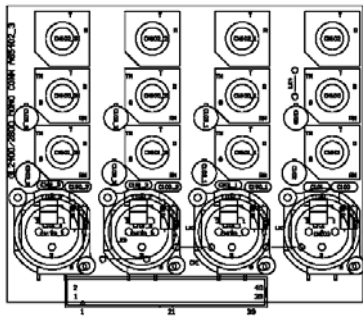
Fuse
 holder
 AL3178

AC mains
 socket AL3458

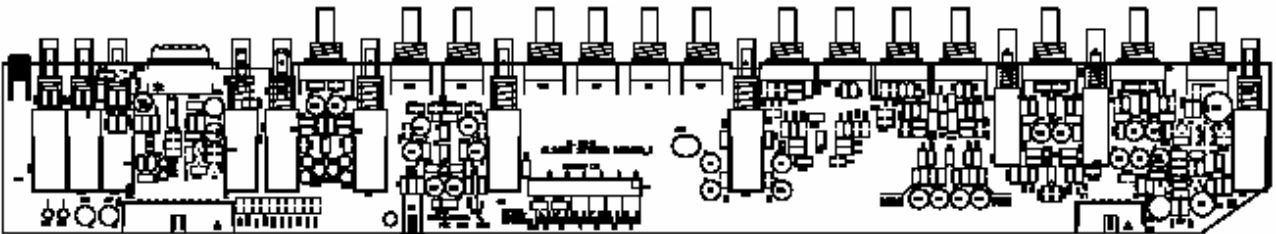
INTERIOR PARTS:



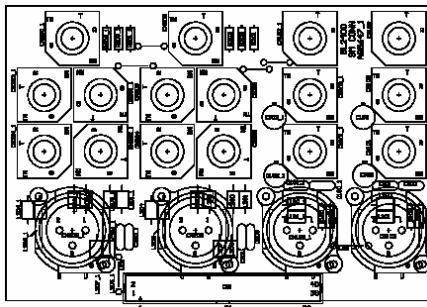
Mono I/P 003-221



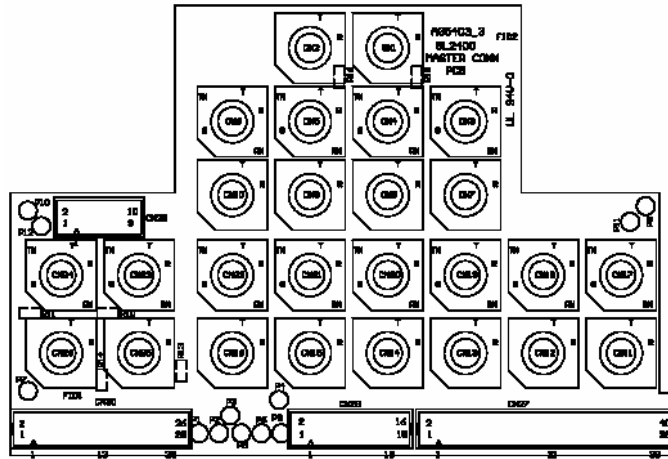
Mono connector 003-228



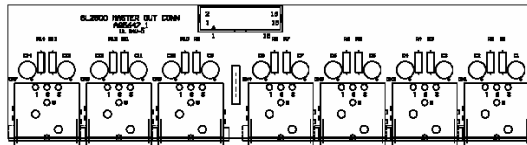
Stereo I/P 003-243



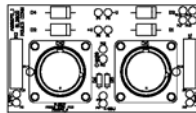
Stereo connector 003-245



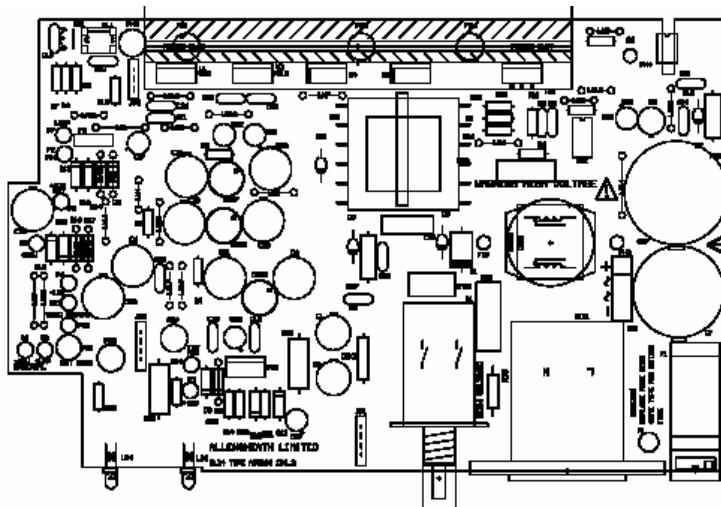
Master connector 003-229



Master O/P connector 003-246



DC power connector PCB 003-372



PSU PCB 003-230